

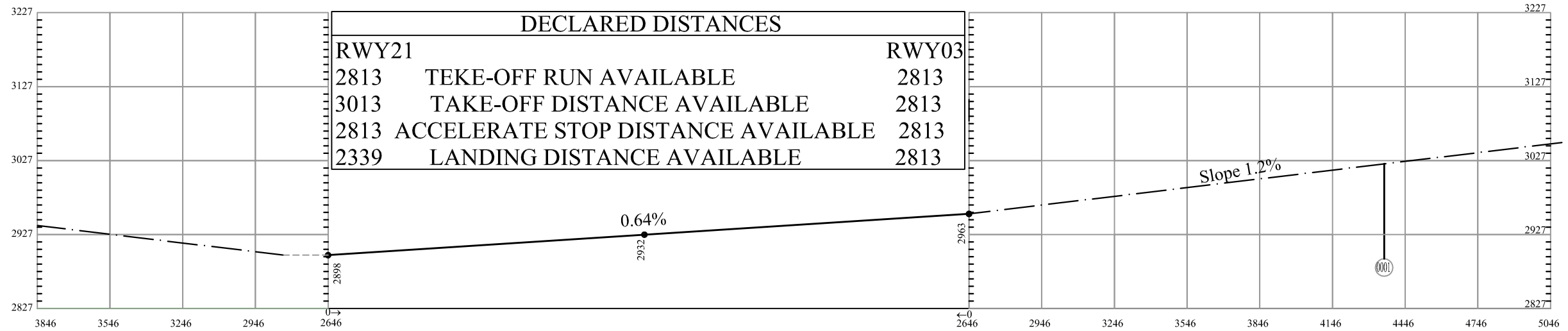
DIMENSIONS IN METERS  
ELEVATION IN FEET

AERODROME OBSTACLE CHART-ICAO  
TYPE A (OPERATING LIMITATIONS)

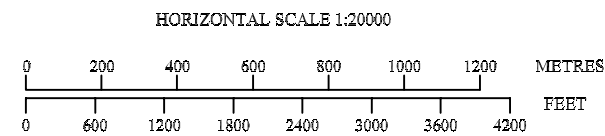
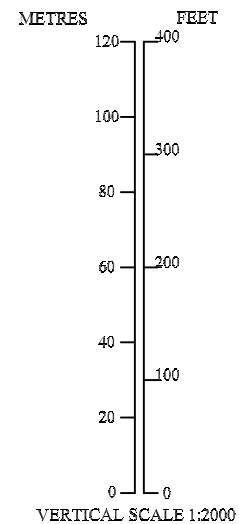
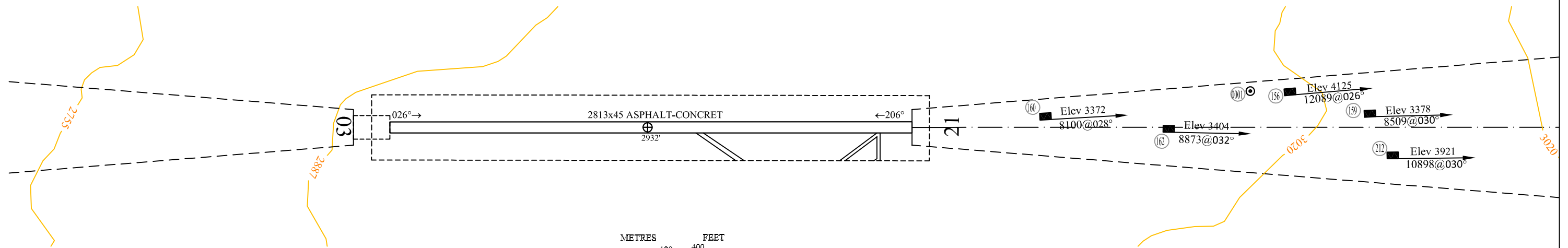
YEREVAN/EREBUNI

MAG VAR 7°E-2025  
Annual rate of change 3' 33"

RWY03/21



CHANGE:DECLARED DISTANCES, DIM. of RWY



LEGEND	
IDENTIFICATION NUMBER	(006)
BUILDING	■
ANTENA, POLE	⊙
TERRAIN CONTOUR	~
ELEVATION	2800

AMENDMENT RECORD		
N	DATA	ENTERED BY